

**CUSTOM WORK STATION**

**DRAWING #: ZWS-WHSD**

**BEFORE ORDERING: PLEASE MEASURE TO MAKE SURE FURNITURE HAS ROOM TO GO THROUGH ALL HALLWAYS, DOORS, STAIRS, ELEVATORS, ETC. TO REACH ITS INTENDED DESTINATION. BY SIGNING THE DRAWING(S) SHOWN, THE CUSTOMER ACCEPTS THE FURNITURE ITEM(S) AS SHOWN IN ITS ENTIRETY, INCLUDING ALL SIZES AND COMPONENTS. ANY DRAWING ALTERATIONS REQUIRE THAT A NEW DRAWING AND QUOTE BE GENERATED. FINAL DRAWING MUST BE SIGNED BY THE CUSTOMER PRIOR TO ORDERING. THIS DRAWING IS THE SOLE PROPERTY OF ACI INDUSTRIES.**

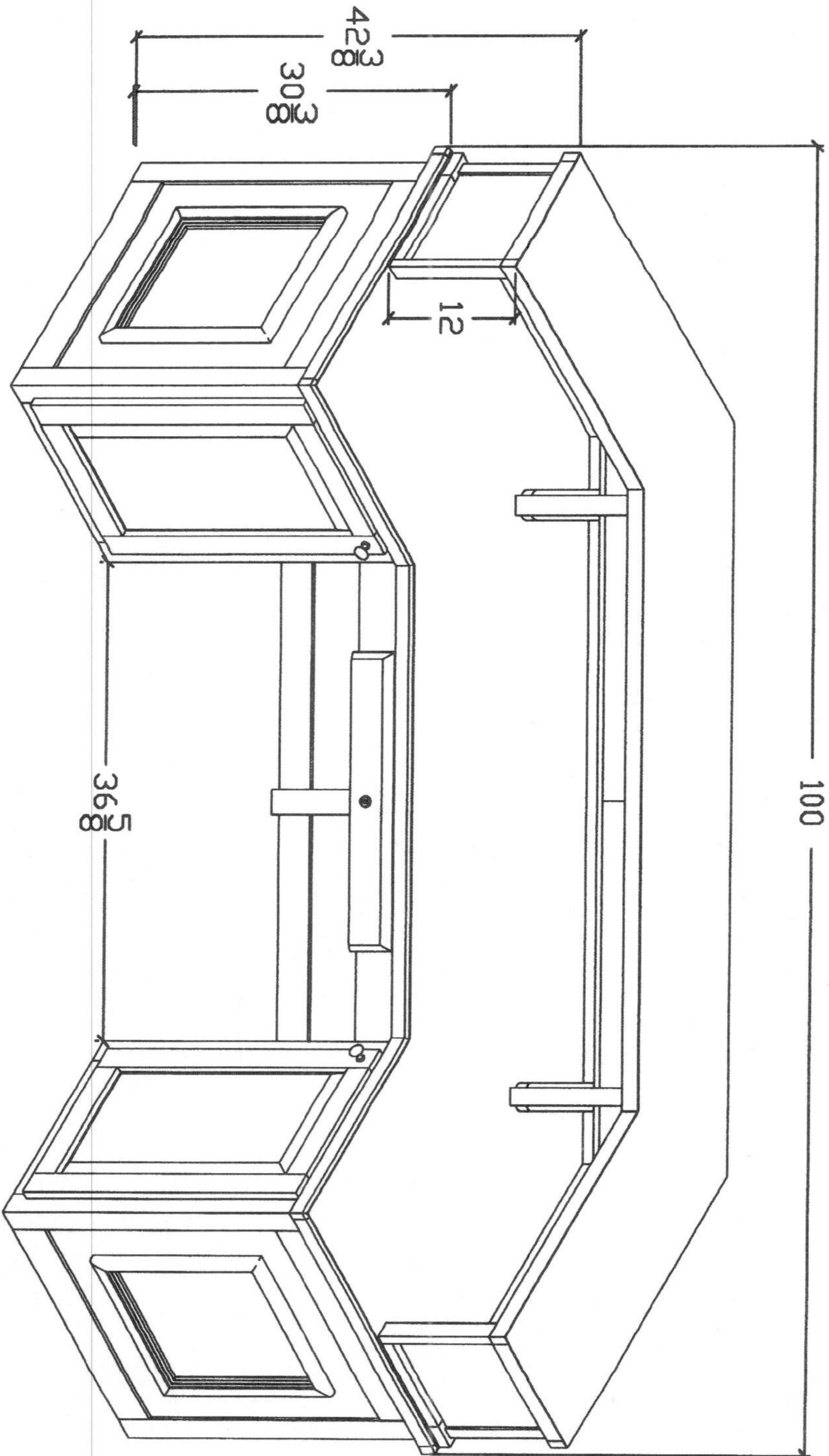
**CUSTOMER SIGNATURE IS REQUIRED FOR ALL DRAWINGS BEFORE PRODUCTION**  
**DRAWING APPROVAL SIGNATURE**

REVISIONS		APPROVED
NUMBER:	DATE:	
R1	00/00/00	
R2	00/00/00	
R3	00/00/00	
R4	00/00/00	

**SCALE: NTS**  
**DATE: 6/20/23**  
**DRAWN BY: D.P.**  
**CHECKED BY:**



**CONCEPT DRAWING**



- UNIT INCLUDES:**
- \*FLOOR GLIDES
  - \*LAMINATE TOPS
  - \*ADJ. SHELVES
  - \*KBPO
  - \*CUSTOM FIT PATRON COUNTER W/ LAMINATE TOP

**CUSTOM WORK STATION**

**DRAWING #:ZWS-WHSD**



**BEFORE ORDERING: PLEASE MEASURE TO MAKE SURE FURNITURE HAS ROOM TO GO THROUGH ALL HALLWAYS, DOORS, STAIRS, ELEVATORS, ETC. TO REACH ITS INTENDED DESTINATION. BY SIGNING THE DRAWING(S) SHOWN, THE CUSTOMER ACCEPTS THE FURNITURE ITEM(S) AS SHOWN IN ITS ENTIRETY, INCLUDING ALL SIZES AND COMPONENTS. ANY DRAWING ALTERATIONS REQUIRE THAT A NEW DRAWING AND QUOTE BE GENERATED. FINAL DRAWING MUST BE SIGNED BY THE CUSTOMER PRIOR TO ORDERING. THIS DRAWING IS THE SOLE PROPERTY OF ACI INDUSTRIES.**

**CUSTOMER SIGNATURE IS REQUIRED FOR ALL DRAWINGS BEFORE PRODUCTION**

\_\_\_\_\_  
**DRAWING APPROVAL SIGNATURE**

REVISIONS		APPROVED
NUMBER:	DATE:	
R1	00/00/00	
R2	00/00/00	
R3	00/00/00	
R4	00/00/00	

**SCALE: NTS**  
**DATE: 6/20/23**  
**DRAWN BY: D.P.**  
**CHECKED BY:**