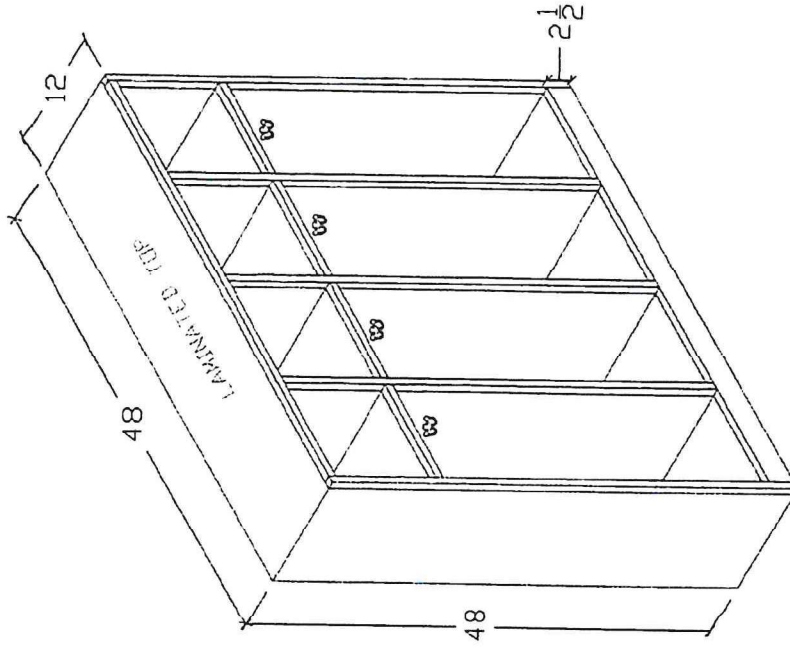
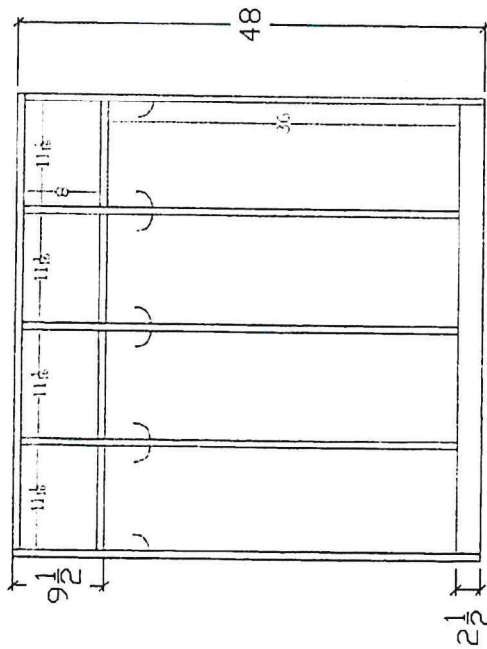


# Brookland School District

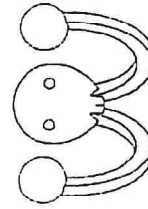
STAIN COLOR:  
GOLDEN OAK  
UNIT INCLUDES:  
2 - DOUBLE COAT HOOKS IN EACH LOCKER  
LAMINATED TOP



FRONT VIEW



BLOW UP VIEW  
OF COAT HOOK



DRAWING #: ZLKR-BSD

SCALE: NTS  
DATE: 06/15/17  
DRAWN BY: C.D.  
CHECKED BY:

REVISIONS	
NUMBER:	DATE:
R1	00/00/00
R2	00/00/00
R3	00/00/00
R4	00/00/00

CUSTOMER SIGNATURE IS  
REQUIRED FOR ALL DRAWINGS  
BEFORE PRODUCTION  
DRAWING APPROVAL SIGNATURE

BEFORE ORDERING: PLEASE MEASURE TO MAKE SURE FURNITURE HAS ROOM TO GO THROUGH ALL HALLWAYS, DOORS, STAIRS, ELEVATORS, ETC. TO REACH ITS INTENDED DESTINATION. BY SIGNING THE DRAWING(S) SHOWN, THE CUSTOMER ACCEPTS THE FURNITURE ITEM(S) AS SHOWN IN ITS ENTIRETY INCLUDING ALL SIZES AND COMPONENTS. ANY DRAWING ALTERATIONS REQUIRE THAT A NEW DRAWING AND QUOTE BE GENERATED. FINAL DRAWING MUST BE SIGNED BY THE CUSTOMER PRIOR TO ORDERING. THIS DRAWING IS THE SOLE PROPERTY OF ACI INDUSTRIES.

