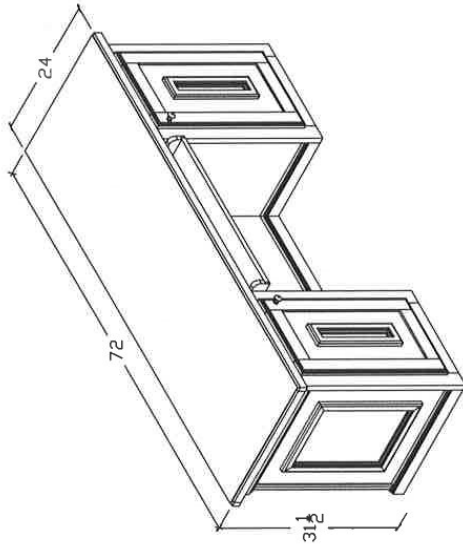
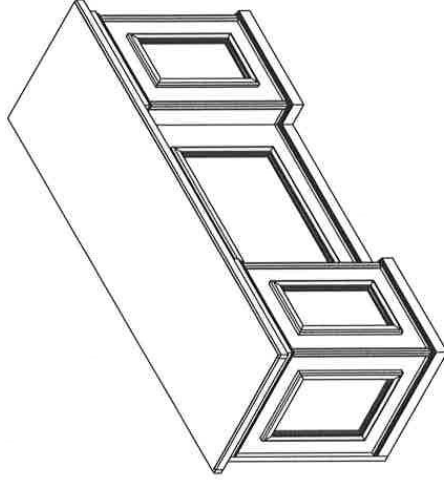


CONCEPTUAL VIEW



- UNIT INCLUDES:
- 1 - KEYBOARD PULLOUT
 - 2 - ADJUSTABLE SHELVES
 - 2 - RAISED PANEL DOORS
 - LAMINATED TOP & FLOOR GLIDES



DRAWING #: PCRWB

BEFORE ORDERING - PLEASE MEASURE TO MAKE SURE FURNITURE HAS ROOM TO GO THROUGH ALL HALLWAYS, DOORS, STAIRS, ELEVATORS, ETC. TO REACH ITS INTENDED DESTINATION. BY SIGNING THE DRAWING(S) SHOWN, THE CUSTOMER ACCEPTS THE FURNITURE ITEM(S) AS SHOWN IN ITS ENTIRETY, INCLUDING ALL SIZES AND COMPONENTS. ANY DRAWING ALTERATIONS REQUIRE THAT A NEW DRAWING AND QUOTE BE GENERATED. FINAL DRAWING MUST BE SIGNED BY THE CUSTOMER PRIOR TO ORDERING. THIS DRAWING IS THE SOLE PROPERTY OF ACI INDUSTRIES.



CUSTOMER SIGNATURE IS REQUIRED FOR ALL DRAWINGS BEFORE PRODUCTION
DRAWING APPROVAL SIGNATURE _____

REVISIONS	
NUMBER:	DATE:
R1	00/00/00
R2	00/00/00
R3	00/00/00
R4	00/00/00

SCALE: NTS
DATE: 05/18/16
DRAWN BY: J. K.
CHECKED BY: